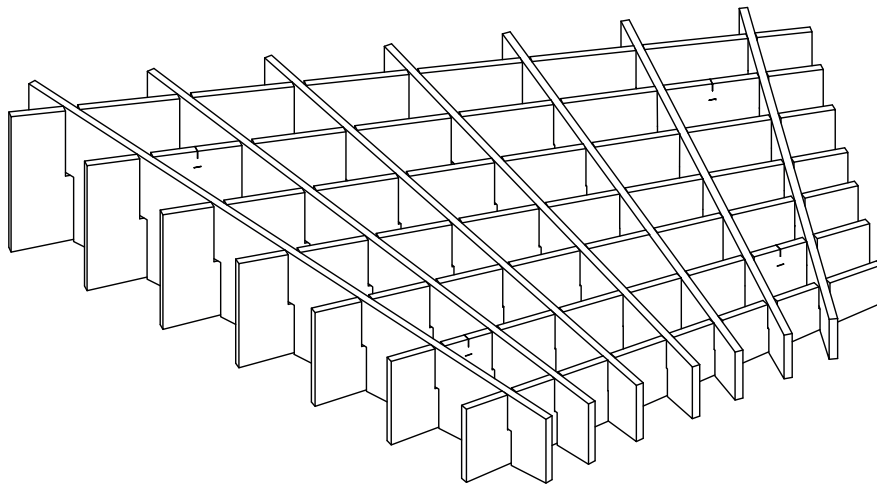
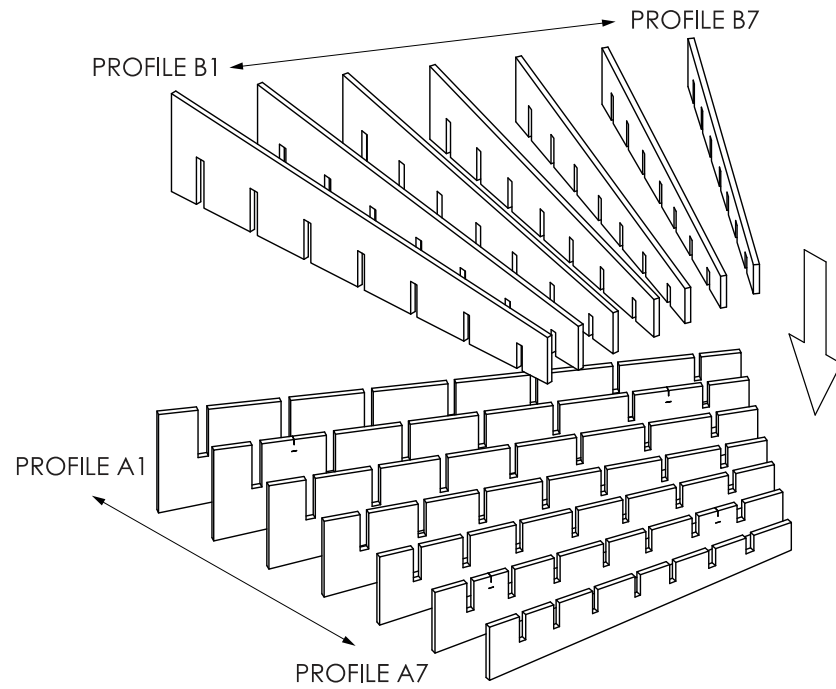


zintra™
CLOCHETTE CLOUD
INSTALL GUIDE

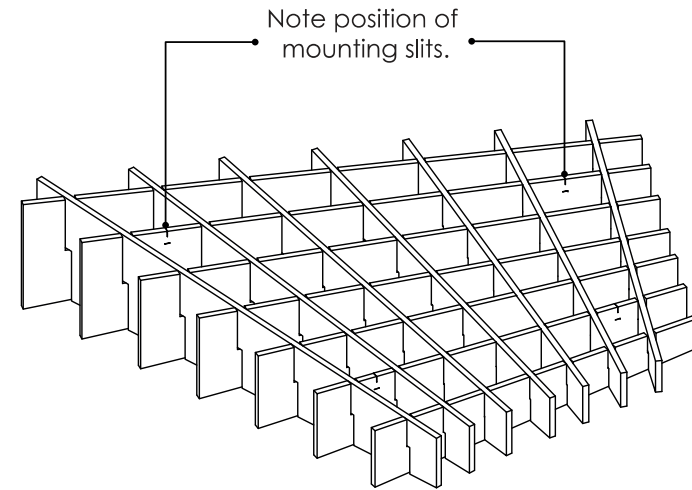


CLOCHETTE CLOUD ASSEMBLY



1) Assemble cloud profiles via slots.
Note position of mounting slits.

STEP 1



2) Assembled "Clochette Cloud".

STEP 2